



INSTALLATION INSTRUCTIONS & WARRANTY

WHOLE HOUSE & LIGHT INDUSTRIAL WATER UNIT MODEL 3/4" OR 1 INCH UNITS.

CONGRATULATIONS, you have just contributed to a product line that helps support a more natural, clean water environment!

Notices:

Carefully read and follow instructions.

Use the Water's Edge unit only in ambient air temperatures of 35- 110 degrees F.

The installation must comply with all state and local regulations.

Do not expose the water conditioner to direct sunlight or use outdoors, unless covered from direct sunlight and freeze protected.

Use only Teflon tape without adhesive backing to seal joints.

The fittings included with this unit allow for installation with 3/4 inch or 1 inch depending on model, copper, CPVC or PEX plastic pipe in any combination. Use no soldering, clamps, unions or glue.

Water's Edge System can be installed in any direction or angle as long as the discharge outlet is piped in the direction of arrow on the product label. Install the Whole House water filter after installing the Water's Edge unit. Please allow room to change out the filter as needed with use. The carbon block filter filters out sediment, odors and Chlorine, for improved taste, change filters out every 90 days during normal use for best results.

Instructions:

Turn off the main water supply valve and open a faucet on the lowest level of your home to drain the system/water line.

Measure the over all length of the assembled Water's Edge System (**brass end to brass end**) and then measure your water line, cutting your service water line with a tubing cutter, **2 inches shorter than the over all length of the Water's Edge System.**

Please take time for careful measurements before cutting.

Check that fittings and tubing are clean, in good condition and free from damage and foreign objects.

Cut the tubing so that the ends are square.

Be sure that there are no burrs or scratches 1 inch from the ends.

Measure 1 inch and mark the insert depth on the outside of the tubing.

This mark is used to ensure that the joint is assembled correctly.

To assemble correctly the tubing needs to be pushed into the Brass 'SharkBite' fitting until it meets the tube stop, which is at the 1 inch mark previously marked.

Disconnect the plastic unions on each end of the Water's Edge System.

Note: inside the unions is a rubber plastic seal that needs to be in place when the unions are reassembled. Only hand tighten plastic unions, do not over tighten any other fittings. It is not necessary to over tighten any fittings, to do so may cause problems later due to not following installation instructions.

Connecting the Joint: All Sharkbite fittings come with an integral tube liner. This liner must be used with PEX tubing, but not necessary to use with copper pipe. Remove integral tube liner with needle nose pliers if using copper pipe.

1. Insert the tube through the release collar to rest against the grab ring.
2. Push the tube firmly with a slight twisting action until it reaches the tube stop.
3. To ensure that the tube is correctly inserted, check that the depth mark is up to the end of the release collar, approximately one inch in depth.

Slowly turn on the main supply water line. Check to ensure that there are no water leaks.

Over time, the Water's Edge system will start removing mineral build up in water lines and your hot water tank. It is a good idea to flush your water heater from time to time to flush out the previous build up of mineral deposits. A garden hose makes an ideal line to use from your hot water heater to your nearest floor drain. Use a bucket to catch the scale solids, put the garden hose into the bucket, the water over flow runs into floor drain. Depending on the age of the hot water heater and the type of water you have in your area will determine how often you will need to flush the hot water heater to remove the loose mineral deposits. Scale free or reduced scale in the hot water heater saves energy when heating water and provides quicker hot water recover time. Included in your installation packet is an orange horseshoe clip, this clip should be kept with your system to use whenever uninstallation is necessary. The clip will loosen the Water's Edge system from the piping allowing for complete removal in case you move at a future date. You will be able to take the Waters Edge System with you!

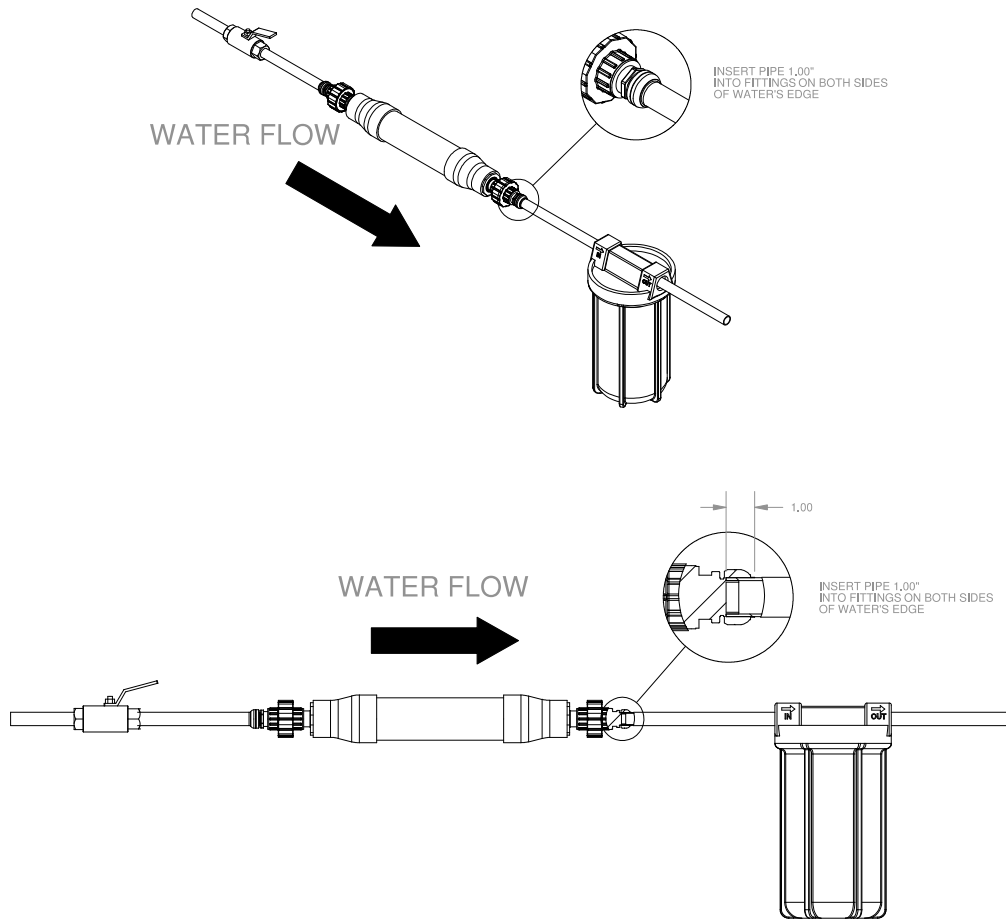
Water's Edge System will provide years of trouble free water conditioning, helping the earth's water quality and environment. Although water quality varies from source to source, you may find that less salt will be required in your present water softener & how often it needs to recharge. Resetting the timer may be desirable to save salt. It is our hope that Water's Edge will eliminate or greatly reduce the need for a water softener, therefore sparing the earth of harmful salt brine.

Warranty of Water's Edge Water Conditioner: This warranty covers defects in materials and workmanship for the warranty period of 2 (two) years from the original date of delivery. We will replace any part which in our opinion is defective. If the housing has not been subject to tampering, alteration, or improper use after delivery and has not been repaired by anyone except us. Our obligation does not include the cost of transportation. We are not responsible for damage in transit, and claims for such damage should be presented to the carrier by the customer. The housing is not warranted against misuse or use in abnormal temperature conditions. The Water filter housing is not manufactured by Healthy Edge and is not covered under this warranty. Please include \$18.00 to cover cost of shipping, when returning a product.

WE MAKE NO WARRANTIES, EXPRESSED OR IMPLIED, INCLUDING, WITHOUT LIMITATION ANY WARRANTIES OF FITNESS OR MERCHANTABILITY EXCEPT AS EXPRESSLY SET FORTH ABOVE, WE SHALL NOT BE LIABLE FOR ANY ANTICIPATED OR LOST PROFITS, INCIDENTAL DAMAGES, CONSEQUENTIAL DAMAGES, COSTS, TIME CHARGES OR OTHER LOSSES INCURRED IN CONNECTION WITH THE PURCHASE, INSTALLATION, REPAIR OR OPERATION OF HOUSING OR SYSTEM, AND WE DO NOT AUTHORIZE ANYONE TO ASSUME FOR US ANY LIABILITY IN CONNECTION WITH THE HOUSING OR SYSTEM OR ANY PART THEREOF.

For servicing under this warranty, return any defective part to your local Retailer. All housings are date stamped during installation.

THANK YOU FOR YOUR PURCHASE & CARING, ABOUT HEALTHY
DRINKING WATER FOR YOUR FAMILY.



Please contact us at www.WaterEdgeSystems.com or 605-644-6413 with any installation questions.

Made in America